

MULTI-CARTRIDGE HOUSINGS



4 & 5 ROUND CARTRIDGE HOUSINGS

SWT offers a complete line of four and five round multi-cartridge housing models to accommodate a wide range of flow rates. Available in 1, 2, 3, or 4-high stack configurations, the standard models all feature stainless steel construction with poly-coat finish, easy access covers for quick change-outs, and FDA grade Buna-N gaskets. A variety of pipe connection styles and sizes are available to match your application.



FEATURES

- Designed for industrial and commercial filtration needs
- Design pressure: 150 psi (10 bar) @ 300°F (149°C)
- Heavy duty stainless steel construction for durability
- Band clamp or swing bolt closures for quick cartridge change-outs
- Pipe fittings readily accessible for easy installation
- Knife edge seal at both cartridge ends to eliminate by-pass
- Available for Double Open End (DOE), 222, or 226 cartridges
- Complete selection of pipe fittings: flanged, sanitary, BSP, grooved, and others

OPTIONS & ADD-ONS

Closure Style: V-Band Clamp or Swing Bolt

Material: 304L Stainless Steel or 316L Stainless Steel

Cartridge Type: Double Open Ended (DOE), 222 Style Cartridge (Fin or Flat), or 226 Style Cartridge (Fin or Flat)

Connections: 2" MNPT (Standard), 1.5" MNPT, 2" BSP Nipple, 1" Flange, 1.5" Flange, 2" Flange, 1" Ferrules, 1.5" Ferrules, 2" Ferrules, 2.5" Ferrules, 1.5" Grooved Fittings, 2" Grooved Fittings, or 2" Coupling

Finish: Standard Poly Coat, Electro-Polished, Glass Bead, or Passivate

Extras: Tabs, Legs, Heavy Duty Legs, Gauge Ports, Gauge Ports with Gauges, Universal Parts

Gasket: Buna, EPR, Silicone, Viton, or Teflon Encapsulated Silicone



Adjustable top plate accepts variable length cartridges

Part Number	Cartridges			Flow Rate GPM**	Connection Size			Shipping Weight Lb.	
	Number Per Unit	Length Inches *	Maximum Diameter		Pipe MNPT	Drain NPT	Vent NPT	Clamp Style	Swing Bolt Style
YH22704	4	10	2.75	28	2	0.5	0.25	25	62
YH22708	4	20	2.75	56	2	0.5	0.25	31	68
YH22712	4	30	2.75	84	2	0.5	0.25	38	74
YH22716	4	40	2.75	112	2	0.5	0.25	45	80
YH22705	5	10	2.75	35	2	0.5	0.25	26	64
YH22710	5	20	2.75	70	2	0.5	0.25	32	70
YH22715	5	30	2.75	105	2	0.5	0.25	39	76
YH22720	5	40	2.75	140	2	0.5	0.25	46	82

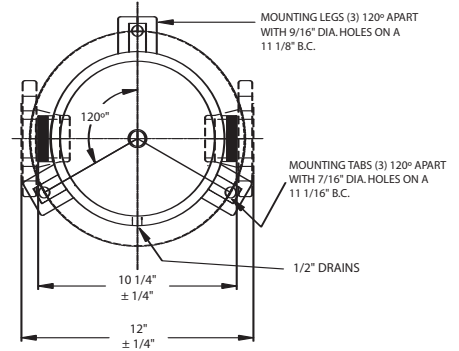
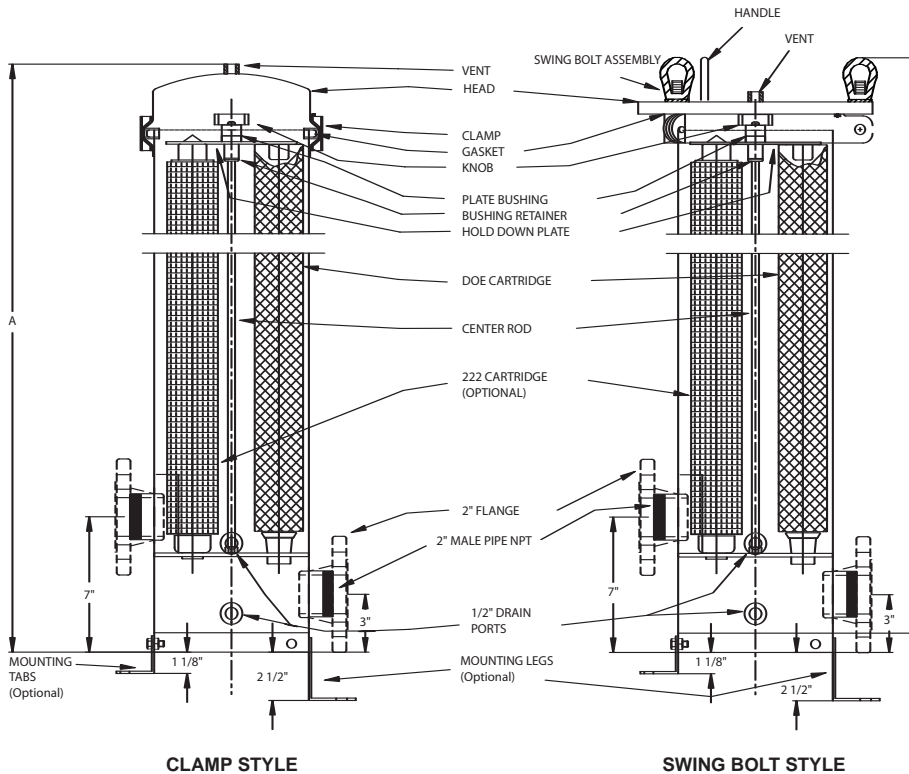
* Equivalent lengths accepted: 10 inch = (9.75 or 10 inch); 20 inch = (19.5 or 20 inch); 30 inch = (29.25 or 30 inch); 40 inch = (39 or 40 inch)

** Based on 7 gpm per 10 inch length with a 25 micron wound cartridge at 2 psid clean and a viscosity of 1 cps. Flow rates are for guidelines only. Actual flow rates are based on fluid, viscosity, cartridge type, micron ratings, and other factors.

MULTI-CARTRIDGE HOUSINGS



4 & 5 ROUND CARTRIDGE HOUSINGS



PART NUMBER	CLAMP STYLE	SWING BOLT STYLE
	DIM. A	DIM. A
YH22704	20-1/2"	22-1/4"
YH22708	49-1/2"	32-1/4"
YH22712	59-1/2"	42-1/4"
YH22716	50-3/16"	52-1/4"
YH22705	20-7/8"	22-1/4"
YH22710	30-7/8"	32-1/4"
YH22715	40-7/8"	42-1/4"
YH22720	50-7/8"	52-1/4"



Mounting tabs
(may be installed at site)



Sanitary fittings



Gauge port assembly
with mounting legs



Electro-polish