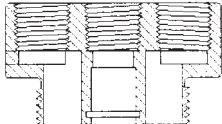


TANK HEADS & MANIFOLDS



CUSTOM MACHINED PLASTIC TANK HEADS (MOST COMMON CONFIGURATIONS)

Part Number	Tank Thread	Inlet / Outlet FNPT	Center Riser Port	Inlet Screen Part No.
-------------	-------------	---------------------	-------------------	-----------------------



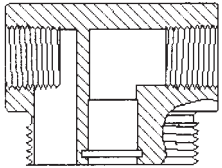
IN OUT FILL

In, Out, and Rinse / Fill...Out the Top (Riser Port is Off Center)

SM-T258375TA10	2-1/2" #8 NPSM	3/4"	3/4" FNPT	SM-MPU14
SM-T4531T7	4-1/2" Buttress	1"	1"	SM-ST10610

In and Out...Opposite Sides

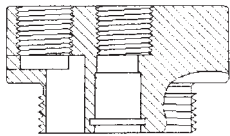
SM-T258375S1	2-1/2" #8 NPSM	3/8"	13/16"	SM-MPU14
SM-T258375S1P	2-1/2" #8 NPSM	3/8"	13/16"	SM-MPU14
SM-T2585S1	2-1/2" #8 NPSM	1/2"	13/16"	SM-MPU14
SM-T2585S1P	2-1/2" #8 NPSM	1/2"	13/16"	SM-MPU14
SM-T25875S1	2-1/2" #8 NPSM	3/4"	13/16"	SM-MPU14
SM-T25875S1P	2-1/2" #8 NPSM	3/4"	13/16"	SM-MPU14
SM-T2581S11	2-1/2" #8 NPSM	1"	3/4"	SM-US105
SM-T2581S11P	2-1/2" #8 NPSM	1"	3/4"	SM-US105
SM-T4875S1	4" #8 UN	3/4"	13/16"	SM-MPU14
SM-T4875S1P	4" #8 UN	3/4"	13/16"	SM-MPU14
SM-T481S6	4" #8 UN	1"	3/4"	SM-ST750610
SM-T481S6P	4" #8 UN	1"	3/4"	SM-ST750610
SM-T4575S1	4-1/2" Buttress	3/4"	13/16"	SM-MPU14
SM-T451S6	4-1/2" Buttress	1"	3/4"	SM-ST750610



IN OUT

In and Out the Top

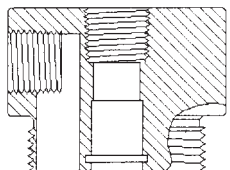
SM-T258375T1	2-1/2" #8 NPSM	3/8"	13/16"	SM-MPU14
SM-T2585T1	2-1/2" #8 NPSM	1/2"	13/16"	SM-MPU14
SM-T25875T1	2-1/2" #8 NPSM	3/4"	13/16"	SM-MPU14
SM-T4875T1	4" #8 UN	3/4"	13/16"	SM-MPU14
SM-T481T6	4" #8 UN	1"	3/4"	SM-ST750610
SM-T4575T1	4-1/2" Buttress	3/4"	13/16"	SM-MPU14
SM-T451T6	4-1/2" Buttress	1"	3/4"	SM-ST750610



IN OUT

In the Side...Out the Top

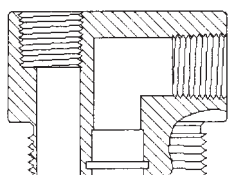
SM-T258375ST1	2-1/2" #8 NPSM	3/8"	13/16"	SM-MPU14
SM-T2585ST1	2-1/2" #8 NPSM	1/2"	13/16"	SM-MPU14
SM-T25875ST1	2-1/2" #8 NPSM	3/4"	13/16"	SM-MPU14
SM-T4875ST1	4" #8 UN	3/4"	13/16"	SM-MPU14
SM-T481ST6	4" #8 UN	1"	3/4"	SM-ST750610
SM-4575ST1	4-1/2" Buttress	3/4"	13/16"	SM-MPU14
SM-T451ST6	4-1/2" Buttress	1"	3/4"	SM-ST750610



IN OUT

In the Top...Out the Side

SM-T258375TS1	2-1/2" #8 NPSM	3/8"	13/16"	SM-MPU14
SM-T2585TS1	2-1/2" #8 NPSM	1/2"	13/16"	SM-MPU14
SM-T25875TS1	2-1/2" #8 NPSM	3/4"	13/16"	SM-MPU14
SM-T4875TS1	4" #8 UN	3/4"	13/16"	SM-MPU14
SM-T481TS6	4" #8 UN	1"	3/4"	SM-ST750610
SM-4575TS1	4-1/2" Buttress	3/4"	13/16"	SM-MPU14
SM-T451TS6	4-1/2" Buttress	1"	3/4"	SM-ST750610



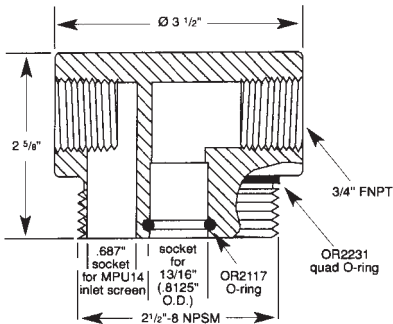
IN OUT

An additional 1/2 inch or 3/4 inch fill hole with plug seal is available. Call for pricing.
An additional 1/2 inch or 3/4 inch DI light hole is available. Call for pricing.

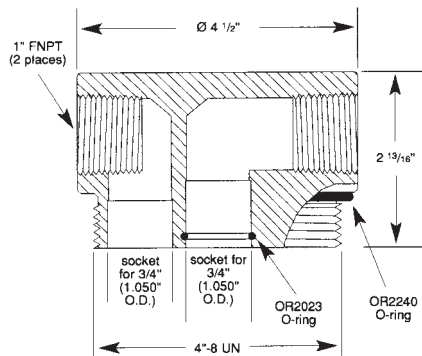
TANK HEADS & MANIFOLDS



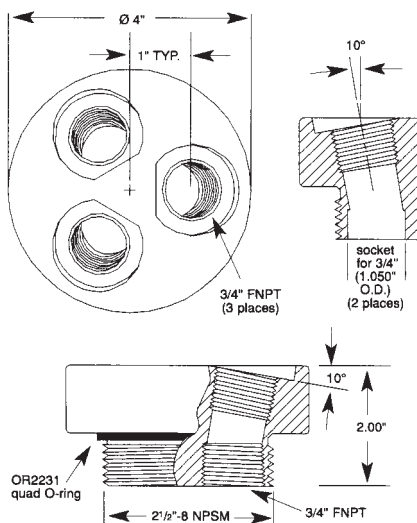
CUSTOM MACHINED PLASTIC TANK HEADS



SM-T25875S1



SM-T481S6

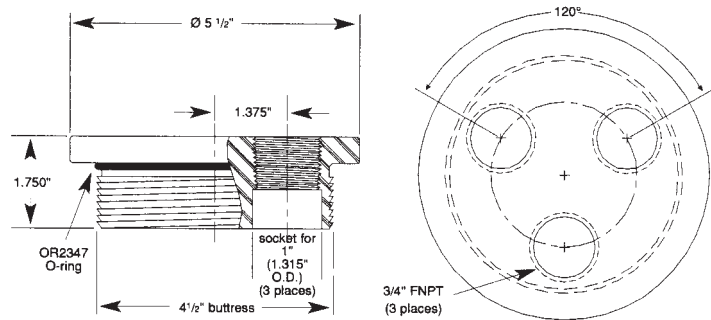


SM-T258375TA10

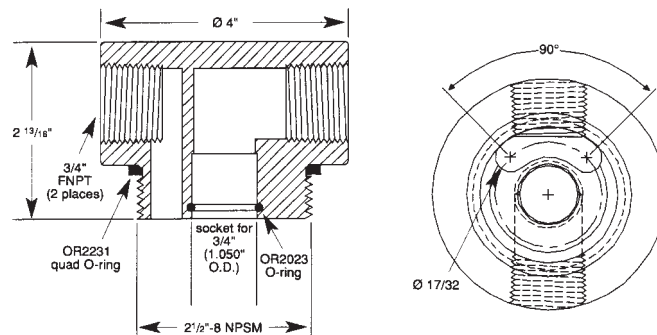
SWT's custom tank heads and manifolds are machined from solid PVC bar stock for maximum reliability in the field. These are ideal for common applications such as: deionization (DI) systems, carbon filters, sediment filters, neutralizers, and portable water softeners. They can also be machined from CPVC, polypropylene, teflon, or PVDF to meet your application's required specification.

Technical Specifications

Maximum recommended operating temperature140°F (60°C)
 Maximum recommended operating pressure150 PSI (10 Bar)
 Standard material of constructionPVC & EPDM



SM-T4531T7



SM-T2581S11