

BAG FILTERS



SINGLE BAG FILTER HOUSINGS

Safe Water Technologies' Strainer/Filter Housings are manufactured in many sizes and configurations and serve as basket strainers or as bag filters. In all cases, covers are easily removed and the baskets or bags are easily cleaned or replaced. Low cost, single bag filter housings are offered in a variety of pipe connection styles and pipe sizes. Flanged connections are also offered.

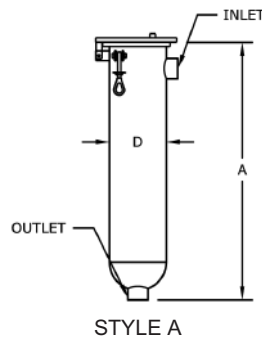


STANDARD FEATURES

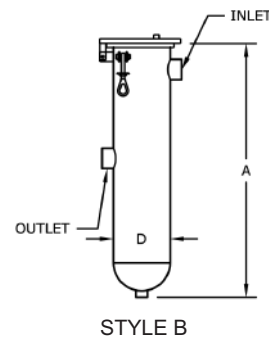
- 0.25 inch NPT Gauge Ports
- Drain Port
- 0.25 inch NPT Vent Port
- Adjustable Stands
- Buna-N O-rings
- Perforated Basket

OPTIONS

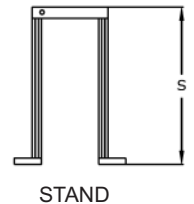
- Flanged Connections
- Micron Rated Strainer Basket
- Neoprene, EPT, Silicone, Viton, or Teflon O-rings
- Pressure Gauge
- Drain and Vent Valves
- Carbon Steel or Stainless Steel Construction
- Epoxy Coating & Electropolishing



STYLE A



STYLE B



STAND

Model	Flow Rate GPM	Inlet/Outlet Connections Inches	Basket Length Inches	Vessel Height Inches (A)	Vessel Dia. Inches (D)	Stand Height Inches (S)	Surface Area Sq.Ft.	Bag Size Number
FR-SBF-50-6-*	50	1	6	18	6.5	14	0.5	3
FR-SBF-50-12-*	50	1	12	24	6.5	14	1.0	4
FR-SBF-100-12-*	100	1.5	12	24	8.5	22	1.3	7
FR-SBF-100-18-*	100	1.5	18	30	8.5	22	2.0	8
FR-SBF-100-30-*	100	1.5	30	36	8.5	22	3.4	9
FR-SBF-200-15-*	200	2	15	30	12.0	22	2.2	1
FR-SBF-200-30-*	200	2	30	45	12.0	22	4.4	2

* Housings are available in a variety of materials:

'CE' = Carbon Steel / Epoxy Coating; 'SSEP' = #304 Stainless Steel Electropolished

Note: Continuous product improvements may change data and dimensions without notice.

BAG FILTERS



MULTIPLE BAG FILTER HOUSINGS

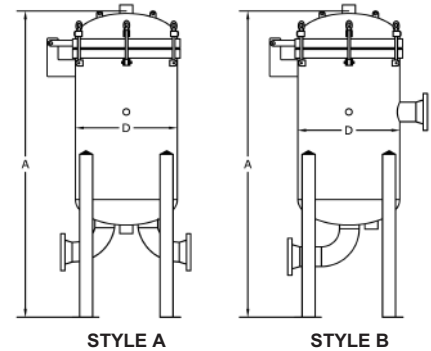


Safe Water Technologies' Multiple Bag Filters consist of several individual filter bags (2 to 32) housed in a single vessel. The filters handle high flow rates (400 to 4800 gpm) while occupying minimal floor space.

SWT's strainer/filter housings are manufactured in many sizes and configurations and serve as basket strainers or bag filters. In all cases, covers are easily removed and the baskets or bags are easily cleaned or replaced. The standard pressure rating for all models is 150 psi.

OPTIONS

- Micron Rated Strainer Basket
- Neoprene, EPT, Silicone, Viton, or Teflon O-rings
- Pressure Gauge
- Drain and Vent Valves
- Hydraulic, Hinged, or Hand Crank Lifting Mechanism
- Carbon Steel or Stainless Steel Construction
- Epoxy Coating and Electropolishing
- ASME Code Stamp Housings



STANDARD FEATURES

- Gauge, Drain, & Vent Ports
- Fixed Legs
- Buna-N O-rings
- Perforated Basket
- Flanged Connections

Part Number	Number of Baskets	Flow Rate (GPM)	Inlet/Outlet Diameter Inches	Overall Height Inches (A)	Shell Diameter Inches (D)	Surface Area Per Vessel Sq.Ft.	Bag Size Number
FR-MBF-2-*	2	400	2, 3, 4	64	18	8.8	2
FR-MBF-3-*	3	600	2, 3, 4	64	20	13.2	2
FR-MBF-4-*	4	800	2, 3, 4	66	22	17.6	2
FR-MBF-5-*	5	1,000	3, 4, 6	66	22	22.0	2
FR-MBF-6-*	6	1,200	3, 4, 6	66	24	26.4	2
FR-MBF-7-*	7	1,400	4, 6, 8	75	28	30.8	2
FR-MBF-8-*	8	1,600	4, 6, 8	75	30	35.2	2
FR-MBF-9-*	9	1,800	4, 6, 8	75	32	39.6	2
FR-MBF-10-*	10	2,000	6, 8, 10	82	34	44.0	2
FR-MBF-12-*	12	2,400	6, 8, 10	81	38	52.8	2
FR-MBF-14-*	14	2,800	8, 10	81	38	61.6	2
FR-MBF-16-*	16	3,200	8, 10, 12	90	42	70.4	2
FR-MBF-18-*	18	3,600	8, 10, 12	92	46	79.2	2
FR-MBF-20-*	20	4,000	10, 12	92	46	88.0	2
FR-MBF-22-*	22	4,400	10, 12	92	46	96.8	2
FR-MBF-24-*	24	4,800	10, 12	92	46	105.6	2
FR-MBF-32-*	32	6,400	12, 14	110	60	140.8	2

* Housings are available in a variety of materials:

'C'= Carbon Steel; 'CE'= Carbon Steel / Epoxy Coating; 'SS'= #304 Stainless Steel; 'SSEP'= #304 Stainless Steel Electropolished

Note: Continuous product improvements may change data and dimensions without notice.